

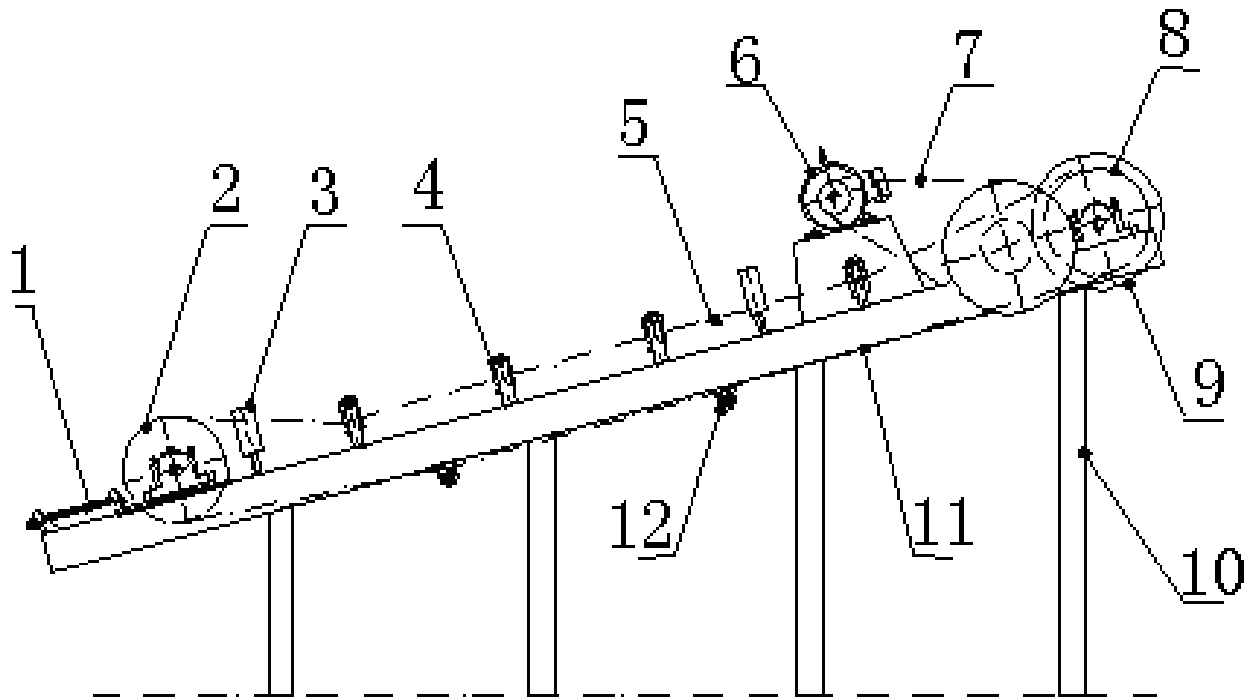
Belt Conveyer



■ Brief Introduction

It's widely used in mining, metallurgy industry, feeding the relax material and member goods, according to the request of transport technology. it can be used in single, multiple or combined with other equipment to form horizontal or incline transportation system to satisfy different production line arrangement needs.





It mainly consists of 1 pulling device, 2 direction-changed roller, 3 belt-holding roller, 4 upper roller, 5 belt , 6 electric motor, 7v-belt, 8 transmission gear, 9 transmission roller, 10 supporting frame, 11 machine frame, and 12 lower roller as indicated in the following diagram.

■ Features

It features of large delivering quantity, simple structure, convenient maintenance, standard parts and so on. And it is widely used in the following industries: minerals, metallurgy, coal industry and some other fields, conveying loose materials and pieces. According to the craft requirements for delivery, you can transport with single machine or with several ones, and also make up a horizontal and inclined transportation system along with other delivering devices, in order to meet different needs.







Belt Width(mm)	Belt Length (m) / Power (kW)			Belt Speed (m/s)	Capacity (t/h)
500	≤12/3	12-20/4-5.5	20-30/5.5-7.5	1.3-1.6	45-100
650	≤12/4	12-20/5.5	20-30/7.5-11	1.3-1.6	70-120
800	≤10/4	10-15/5.5	15-30/7.5-15	1.3-1.6	120-180
1000	≤10/5.5	10-20/7.5-11	20-40/11-22	1.3-2.0	160-250
1200	≤10/7.5	10-20/11	20-40/15-30	1.3-2.0	200-400

Notice: Any change of Belt Conveyor technical data shall not be advised additionally.



Screening & Washing

Sand Washing Machine
Circular Vibrating Screen

Feeding & Conveying

Belt Conveyer
Vibrating Feeder

Crushing

Jaw Crusher
Impact Crusher
Hammer Crusher
Spring Cone Crusher
Hydraulic Cone Crusher
VSI Sand Making Machine
PCL Sand Making Machine
European Type Jaw Crusher
PYS Symons Cone Crusher
Mobile Crushing & Screening Plant

Grinding Plant

Ball Mill
Raymond Mill
High Pressure Suspension Mill
MSB series Coarse Powder Mill
Super Pressure Trapezium Grinding Mill
HGM Three-Rings & Medium-Speed MicroPowder Mill

New Production Technics

Grinding Production Line
Sand Making & Washing Plants
Stone Crushing & Screening Plants
Manufactured Sand Processing Chart
Construction Waste Crushing Technics
Basalt Aggregate for Express Highway Processing Technics

Pious / elaborate / rigorous / harmonious

- **20 Years Experiences**
- **high quality products**
- **Professional Liming Teams**
- **high reputation**
- **Competitive price**
- **King-like customer service**

Contact us

Tel :	0086-371-67992899	MSN online:	Miningmachine@hotmail.com
	0086-371-67371699	Website:	http://www.break-day.com
Fax:	0086-371-67992699	zip code:	450001
Email:	break-day@break-day.com	Address:	No. 15, Dingxiangli Road, National HI-TECH Industry Development Zone, Zhengzhou, China.
MSG online:	summer_8001@yahoo.com		



Henan Liming Road & Bridge Heavy Industry Co., Ltd