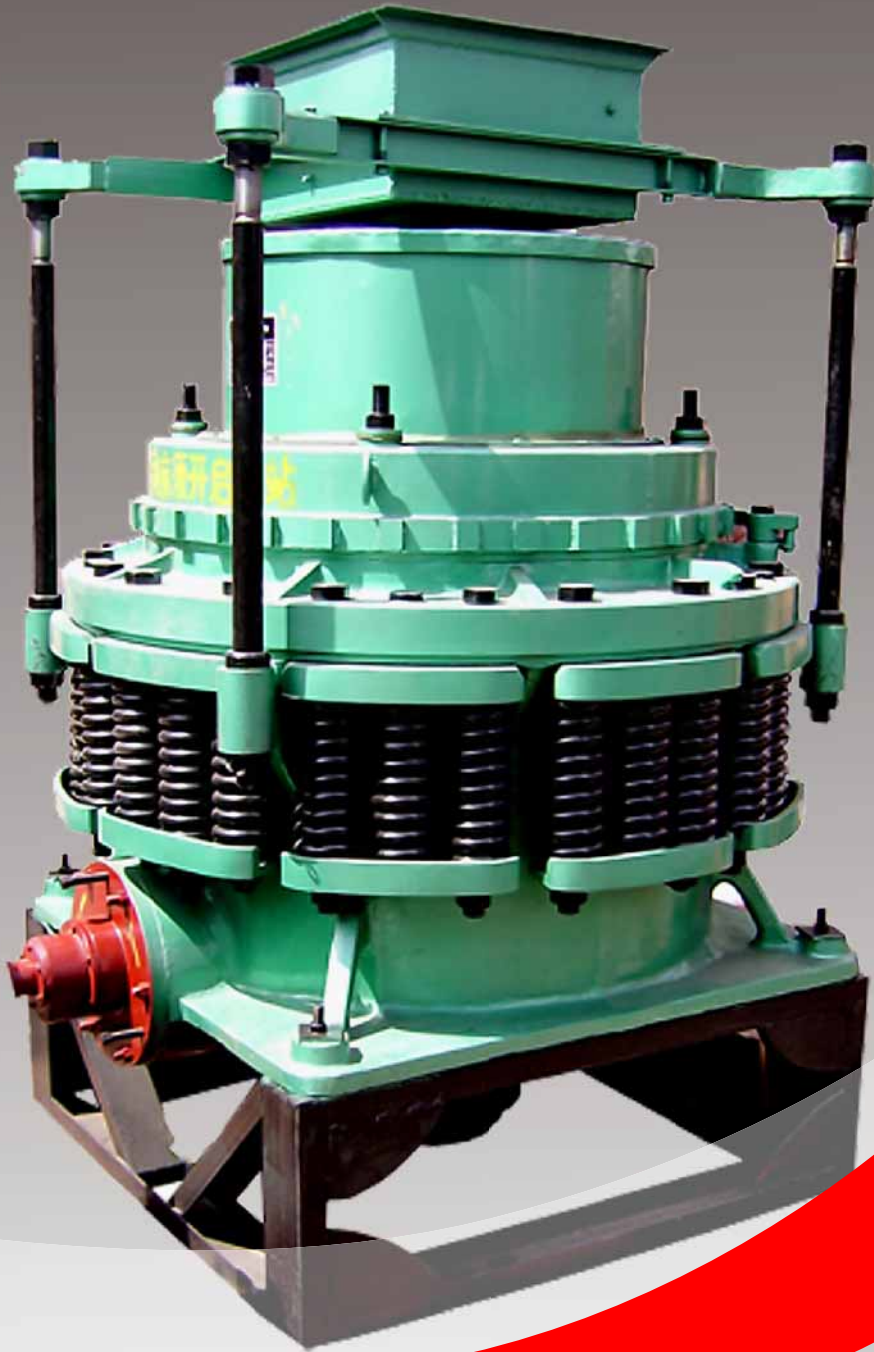


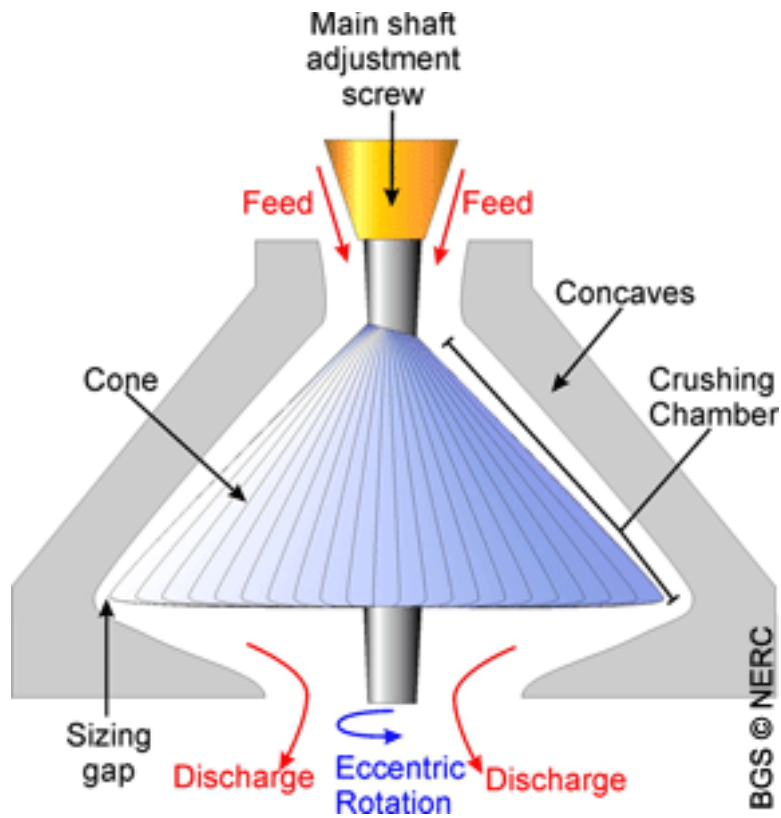
spring cone crusher



Cone crusher is suitable to crush various kinds of ores and rocks of medium or above medium hardness. Compare with jaw crusher, cone crusher is of stable structure, high efficiency, easy adjustment, economic operation, etc. The spring safety system of crusher acts as an overloading protection system that allows metal to pass through the crushing chamber so as not to damage the cone crusher. The safety system uses dry oil and water as two kinds of sealed formation to make plaster powder and engine oil separate to make sure reliable performance. The type of crushing chamber depends upon size of feeding and fineness of crushed product. The standard type (PYB) is applied to medium crushing, the medium type is applied to medium or fine crushing and the short head type is applied to fine crushing.

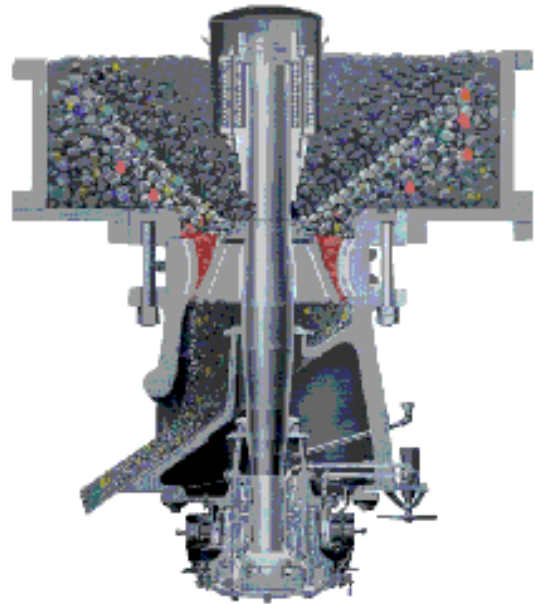


■ Structure and some parts



■ Working Principle of Cone Crusher

Cone crusher crushes materials by the working surface between the movable cone and fixed cone. So it is more advanced and efficiency efficient than jaw crusher. The movable cone is supported by spherical bearing and fixed on an hanging erect shaft which is set in the eccentric sleeve, and the sleeve is set on the stopping and pushing bearing. The movable cone and erect shaft are driven by the eccentric shaft sleeve together. The eccentric shaft sleeve is driven by horizontal shaft and fimbriated gear, and the wheel of the conveyor belt is driven by motor through v-belts. The lower part of vertical shaft is installed in the eccentric sleeve. When the eccentric sleeve rotates, there is a conical surface lined out by the shaft. When the movable cone comes near the fixed cone, rocks are grinded into pieces, when the movable cone leaves, grinded materials is discharged from the discharge hole. The fixed cone can be ascended or descended by adjusting setting to adjust the width of discharge hole, consequently the output size is determined adjusted.



Cone Crusher Features

- High quality and productivity
- Short downtime
- Easy maintenance, low expense
- Unparalleled in medium and fine crushing



Type	Max. input (mm)	Adjusting range of output (mm)	Capacity (t/h)	Motor power (kW)	weight (t)	Overall dimensions (L×W×H)(mm)
PYB 600	65	12-25	12-25	30	5	2800×1300×1700
PYD 600	35	3-15	5-23		5.5	
PYB 900	115	15-50	50-90	55	10.2	3050×1640×2350
PYZ 900	60	5-20	20-65		10.2	
PYD 900	40	3-13	15-50	110	10.3	4152×2300×2980
PYB 1200	145	20-50	110-200		24.7	
PYZ 1200	100	8-26	50-150	160	25	4870×3800×4192
PYD 1200	50	3-15	18-105		25.6	
PYB 1750	215	25-60	280-480	260-280	50.3	7705×3430×4852
PYZ 1750	185	10-30	115-320		50.3	
PYD 1750	85	5-15	75-230	80	50.4	7705×3430×4852
PYB 2200	300	30-60	590-1000		80	
PYZ 2200	230	10-30	200-580	81.4	80	7705×3430×4852
PYD 2200	100	5-15	120-340		81.4	

Notice: Any change of Cone Crusher technical data shall not be advised additionally.



Screening & Washing

Sand Washing Machine
Circular Vibrating Screen

Feeding & Conveying

Belt Conveyor
Vibrating Feeder

Crushing

Jaw Crusher
Impact Crusher
Hammer Crusher
Spring Cone Crusher
Hydraulic Cone Crusher
VSI Sand Making Machine
PCL Sand Making Machine
European Type Jaw Crusher
PYS Symons Cone Crusher
Mobile Crushing & Screening Plant

Grinding Plant

Ball Mill
Raymond Mill
High Pressure Suspension Mill
MSB series Coarse Powder Mill
Super Pressure Trapezium Grinding Mill
HGM Three-Rings & Medium-Speed MicroPowder Mill

New Production Technics

Grinding Production Line
Sand Making & Washing Plants
Stone Crushing & Screening Plants
Manufactured Sand Processing Chart
Construction Waste Crushing Technics
Basalt Aggregate for Express Highway Processing Technics

Pious / Elaborate / Rigorous / Harmonious

- **20 Years Experience**
- **High quality products**
- **Professional Liming Teams**
- **High reputation**
- **Competitive price**
- **King-like customer service**

Contact us

Tel : 0086-371-67992899

0086-371-67371699

Fax: 0086-371-67992699

Email: break-day@break-day.com

MSG online: summer_8001@yahoo.com

MSN online: Miningmachine@hotmail.com

Website: <http://www.break-day.com>

zip code: 450001

Address: No. 15, Dingxiangli Road, National
HI-TECH Industry Development
Zone, Zhengzhou, China.



Henan Liming Road & Bridge Heavy Industry Co., Ltd